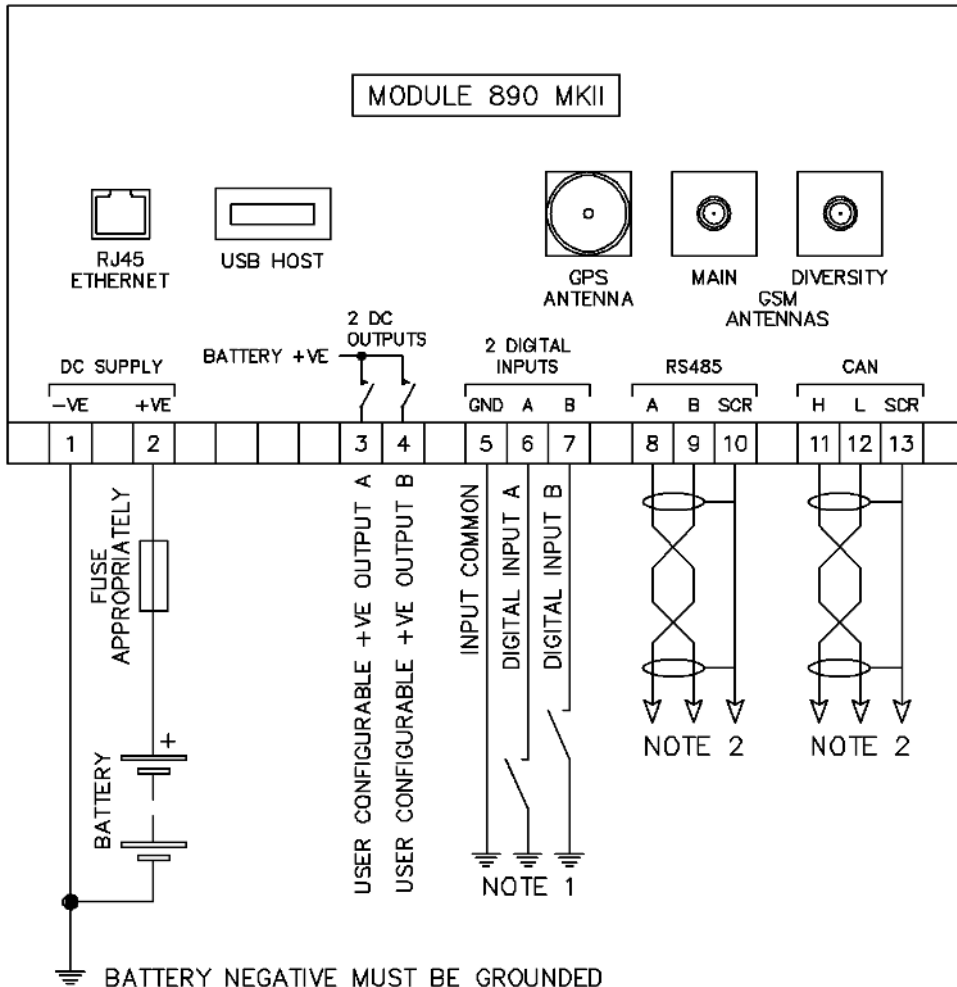


TYPICAL WIRING DIAGRAM



BATTERY NEGATIVE MUST BE GROUNDED

NOTE 1. THESE GROUND CONNECTIONS MUST BE CONNECTED TO THE SAME GROUND AS BATTERY NEGATIVE.

NOTE 2. IF THE MODULE IS FIRST OR LAST UNIT ON THE LINK, IT MUST BE FITTED WITH A 120 OHM TERMINATION RESISTOR ACROSS THE A AND B OR H AND L TERMINALS.

Deep Sea Electronics Ltd.

Tel: +44 (0)1723 890099
 Email: support@deepseaelectronics.com
 Web: www.deepseaelectronics.com

Deep Sea Electronics Inc.

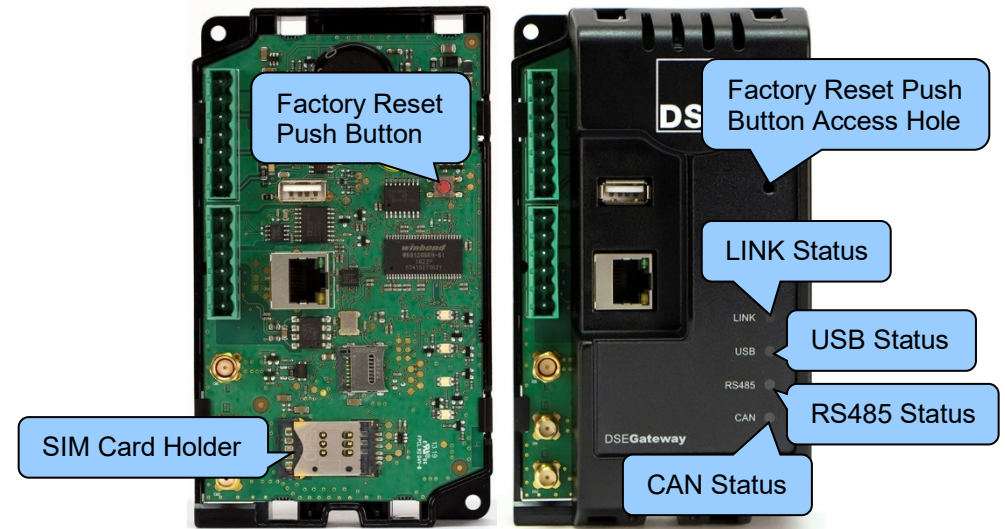
Tel: +1 (815) 316 8706
 Fax: +1 (815) 316 8708
 Email: USAsupport@deepseaelectronics.com
 Web: www.deepseaelectronics.com

DSE890 MKII 4G Gateway Installation Instructions

The DSE890 MKII 4G Gateway communicates with the connected DSE module(s) monitoring their instrumentation and operating state. As the data changes, it is logged into the DSEGateway®'s memory. At configured intervals this logged data is transmitted to the DSEWebNet® server using an internet connection provided by the ethernet or GSM (2G, 3G or 4G mobile internet) connections (the SIM card is not supplied by DSE).

Additionally for mobile applications, the DSE890 MKII 4G Gateway contains a GPS location receiver to determine the positioning of the device on the world map on the DSEWebNet®.

LED STATUS



LED	Colour	Description
LINK	Red	No Connection to DSEWebNet® Server
	Green	Connection the DSEWebNet® Server is established
USB	Red	Data Transfer Error
	Green	Data Transfer Ok
RS485	Red	Data Transfer Error
	Green	Data Transfer Ok
CAN	Red	Data Transfer Error
	Green	Data Transfer Ok

ACCESSING SETUP PAGES

NOTE: Consult the company IT department before making changes to PC network settings.

NOTE: Username and Password are both CASE SENSITIVE.

1. Connect the DSEGateway® Ethernet port directly to the PC Ethernet port using either a 'straight through' or 'crossover' network cable.
2. Configure your PC to be on a fixed IP address (192.168.1.99) as per below ...

3. Using Google Chrome or Internet Explorer, navigate to the address of the DSEGateway® (192.168.1.100) and enter the username and password of the DSEGateway®...

4. It is now possible to view and configure the DSEGateway®. Make a note of the DSEGateway® ID number. This is required when adding the DSEGateway® to DSEWebNet®.

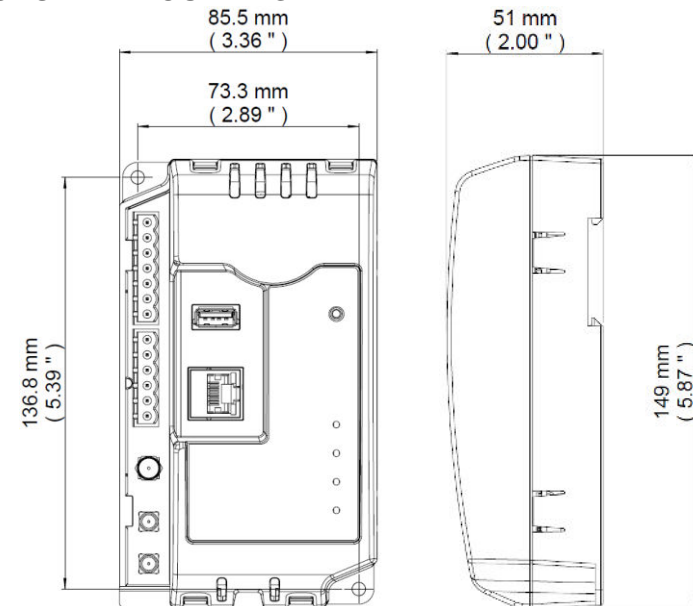
FACTORY DEFAULT SETTINGS

IP Address	Username	Password
192.168.1.100	Admin	Password1234

For further details on how to setup the DSE890MKII 4G Gateway, refer to the following DSE publications available from www.deepseaelectronics.com:

- 056-121 DSEGateway® Quick Set-Up Guide
- 057-304 DSE890 MKII 4G Gateway Operator Manual
- 057-168 DSEWebNet® PC Internet Browser Software Manual

DIMENSIONS AND MOUNTING



Parameter	Specification
Overall Size	85 mm X 149 mm X 51 mm (3.35 " X 5.85 " X 2.01 ")
Mounting Type	DIN rail or chassis mounting, indoor use only.
DIN Rail Width	EN 50022: 35 mm (1.4 ")
Mounting Holes	M4 (0.25 ")
Mounting Hole Centres	73 mm X 137 mm (2.89 " X 5.39 ")
Operating Temperature	-30 °C to 60 °C (-22 °F to 140 °F)
Operating Temperature for UL Certification	-30 °C to 50 °C (-22 °F to 122 °F)
Storage Temperature	-40 °C to 80 °C (-40 °F to 176 °F)
Weight	0.25 kg (0.55 lbs)