

## Reach Power Independence with Peace of Mind

EP900 is a residential energy storage solution designed to make your life more easier. It integrates with solar panels, allowing you to power your appliances and save money on your energy bills while enjoying constant and reliable power whenever you need it. Thanks to its modular design, including the EP900 hybrid inverter and the B500 batteries, it adapts to meet the specific needs of your household.



### Slash Electricity Bills

Store free solar energy or low-price power for peak-hour use to significantly save on monthly energy costs in the long run.



### Outage Protection

With just 10ms switch over time, rest assured that your essential appliances stay powered even when the grid goes down.



### Energy Self-consumption

Transition into a power producer to reduce your reliance on the fluctuant grid, reclaiming control over your energy management.



### Modular Design

Offer flexibility and scalability for easy expansion and customization to match your present and future needs.



### Safety and Compliance

EP900 is rated NEMA 4X, coupled with a 10-year warranty and product liability insurance, ensures utmost safety and peace of mind for your home.

## TOP

Portable Power  
Station Brand

## 1st

Manufacturer of  
Outdoor & Home ESS

## 2M+

Trusted by  
2,000,000+ Global Users

## About BLUETTI

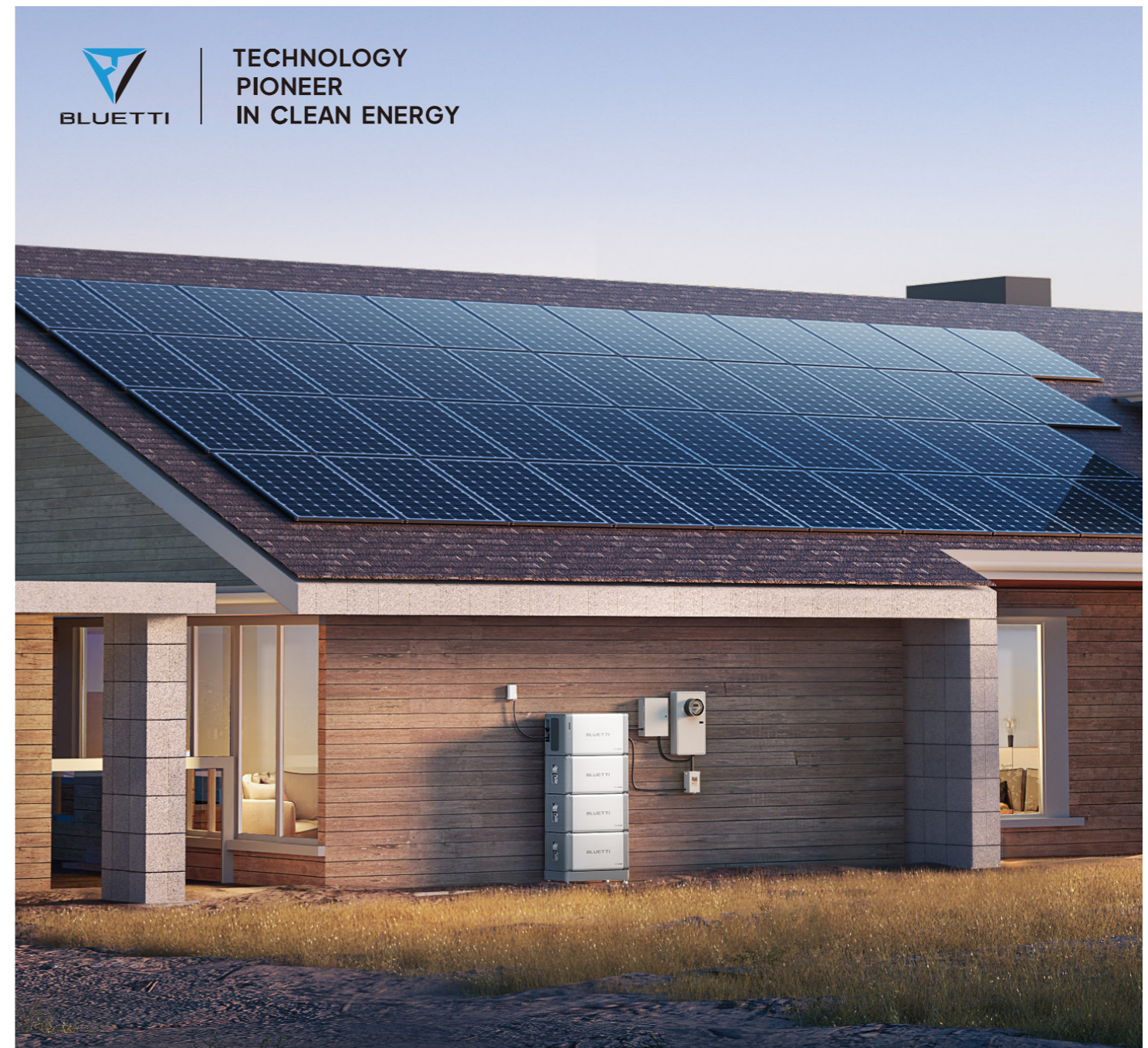
From the very beginning, BLUETTI has tried to stay true to a sustainable future through an array of green energy storage systems (ESS) for home, off-grid and commercial use, including power stations, solar panels, and accessories.

With over 10 years of expertise, innovation-driven development, and attentive service, BLUETTI's extensive and reliable product portfolio is ideal for outdoor adventures, emergency backup power, and off-grid living while delivering an exceptional eco-friendly experience for our homes and our world.

That's why BLUETTI has become an industry leader that makes its presence in 100+ countries and is trusted by millions of customers across the globe.



TECHNOLOGY  
PIONEER  
IN CLEAN ENERGY



# BLUETTI EP900

## Residential Energy Storage System

On-grid

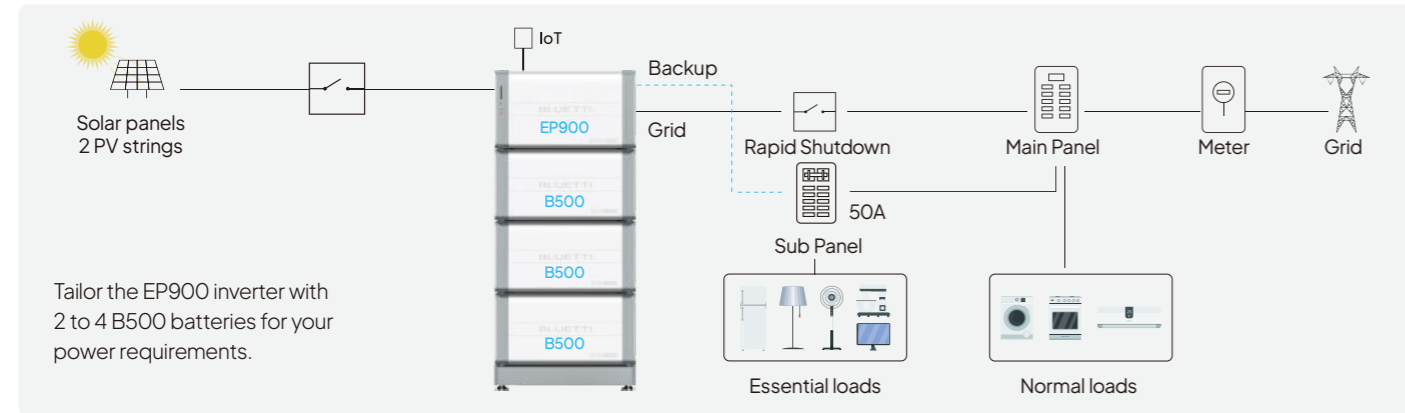
Off-grid



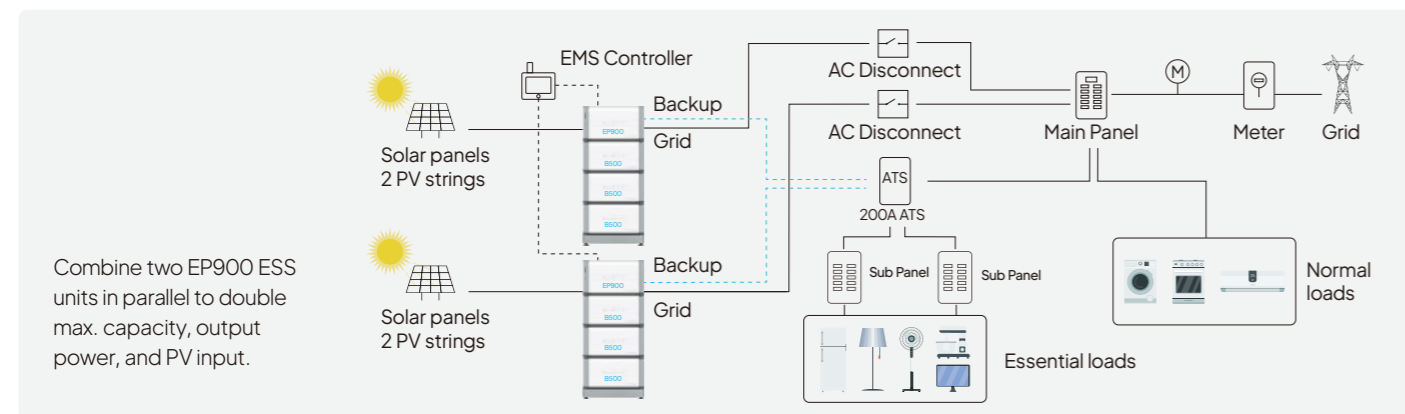
Contact Us

# How it Works

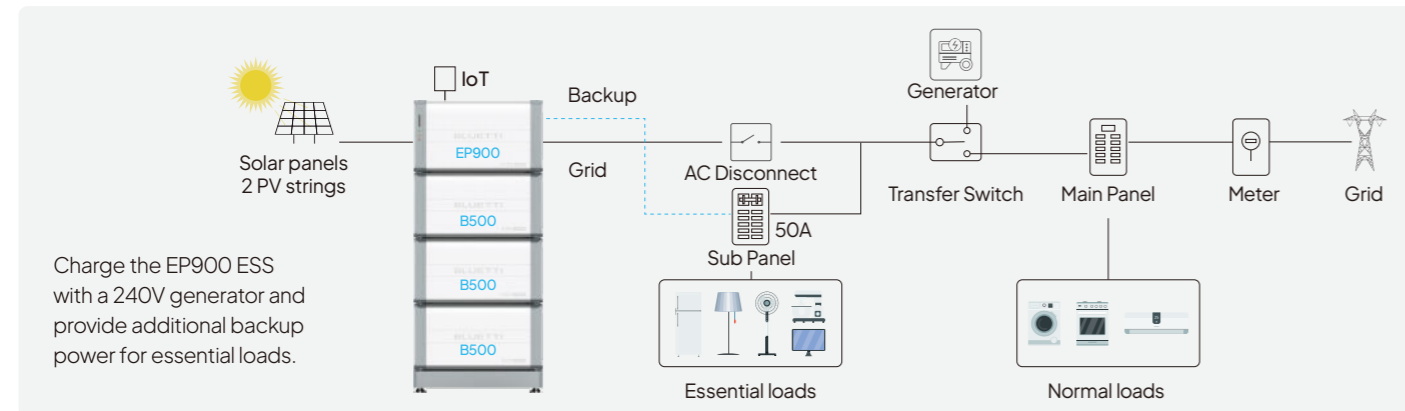
## Standard Home Backup



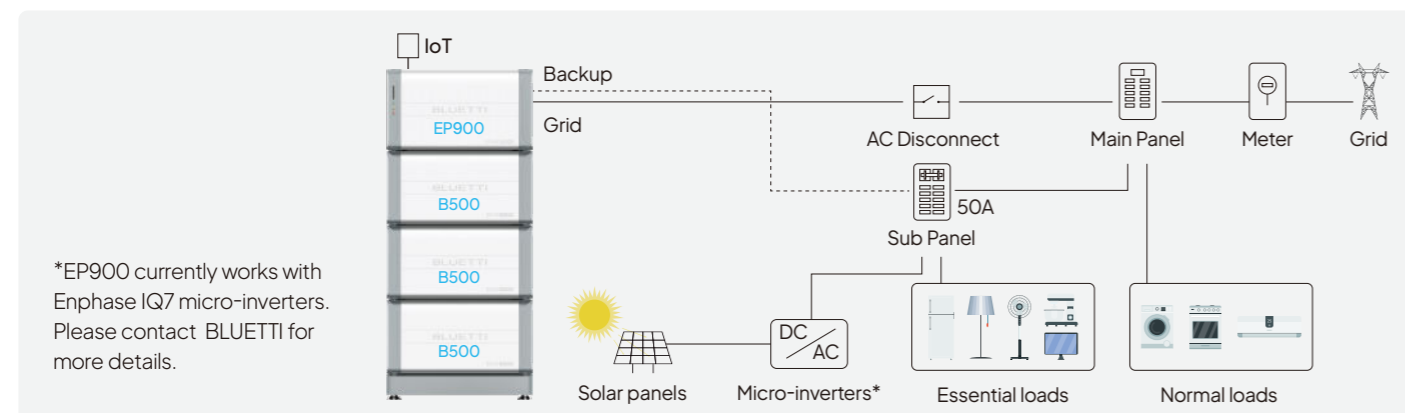
## Parallel Connection with ATS



## Generator as Backup

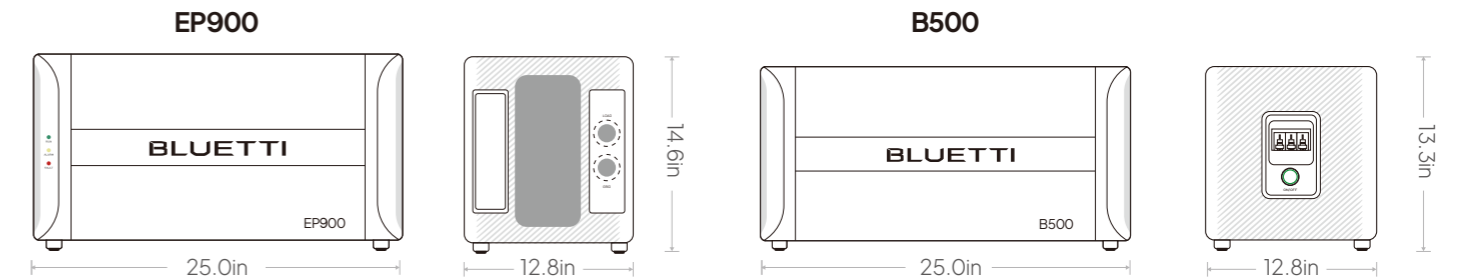


## AC-coupled with Micro-inverters



## DATA SHEET

## SPECIFICATIONS



## Specifications

Configurations	1*EP900+2*B500	1*EP900+3*B500	1*EP900+4*B500	2*EP900+4*B500	2*EP900+6*B500	2*EP900+8*B500
Capacity	9.9kWh	14.8kWh	19.8kWh	19.8kWh	29.7kWh	39.6kWh
Output Power (BACKUP)	7,600W	9,000W		15,200W	18,000W	
Max. Solar Input	9,000W			18,000W		
Max. Input Apparent Power (Bypass + Charging)	13.9 kVA			27.8 kVA		
Max. Input Continuous Current (bypass and charging)	48A			96A		

## EP900 Hybrid Inverter

### General

Operating Temperature	4°F to 104°F / -20°C to 40°C
Noise	≤50dB(A)
Net Weight	105 lbs / 48 kg
Cooling	Forced Air Cooling
Connectivity	USB / Wi-Fi / Bluetooth
Protection Rating	NEMA 4X / IP65

Warranty	10 Years
Dimensions	25.0in x 12.8in x 14.6in / 636mm x 325mm x 370mm
Input Frequency	60Hz
AC Input Current	57A
Switch Over Time to Backup Power	<10ms
Phase	L1 / L2 / N / G

### PV INPUT

Max. Power	9,000W (3,000W + 6,000W)
MPPT Voltage Range / Rated Voltage	150V~500V / 360V
MPPT Channel	2
Single MPPT Input Current	12.5A / 25A
Single MPPT Short Circuit Current	15A / 30A

### AC OUTPUT (BACKUP)

Rated Power	7,600W with 2 B500 9,000W with 3/4 B500
Rated Voltage	120V / 240V
Frequency	60Hz

### Compliances

Grid Connections	IEEE 1547, IEEE 1547.1, Hawaiian Electric IEEE 1547.1, UL 1741 SB
Safety	UL 1741, CSA C22.2#107.1, UL 9540
Emissions	FCC Part 15, Subpart B, ICES-003
Certificates	cETLus, FCC, IC, CEC

## B500 Modular Battery

Battery Chemistry	LiFePO4
Capacity	4,960Wh
Net Weight	127.8 lbs / 58 kg
Protection Grade	NEMA 4X/IP65
Dimensions	25.0in x 12.8in x 13.3in / 636mm x 325mm x 338mm

### Compliances

Safety	EN IEC 62619, UL 1973, UL 9540A, UL 9540, JIS C8715-2
Emmissions	EN IEC 61000-6-3, EN IEC 61000-6-1
Shipping	UN 38.3
RoHs	2011/65/EU and (EU) 2015/863
Certificates	CE, CB, cETLus, FCC, IC, RCM

\*Specifications are subject to change without further notice.